

WATERPROOF DIGITAL INDICATORS FOR BORE GAUGES

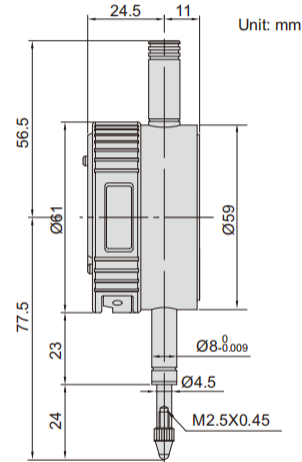


IP54
WATERPROOF

DATA
OUTPUT

THE ORIGINAL DATA
REMAINS AFTER POWER OFF

- Specially designed for bore gauges
- The minimum value tracking function can find the diameter automatically
- Read the diameter directly, after inputting the size of setting ring
- Button function: on/off, minimum value tracking, calibration, data preset, inch/metric conversion
- Data remains after power off, no need to recalibrate after power on
- CR2032 battery, automatic power off (time is adjustable)
- Data output
- Optional accessory: data output cable (code **7315-51B**, **7302-40M**), backs, contact points, spindle lift knob (code **7332**)



Code	Range	Resolution	Accuracy	Hysteresis	Remark
2137-10F*	12.7mm/0.5"	0.002mm/0.0001" (can switch to: 0.01mm/0.0005")	20µm	10µm	flat back
2137-101F*	12.7mm/0.5"	0.001mm/0.00005"	5µm	2µm	flat back

* Supplied with manufacturer inspection certificate

read the diameter directly, after inputting the size of setting ring.

the minimum value tracking function can find the diameter automatically.